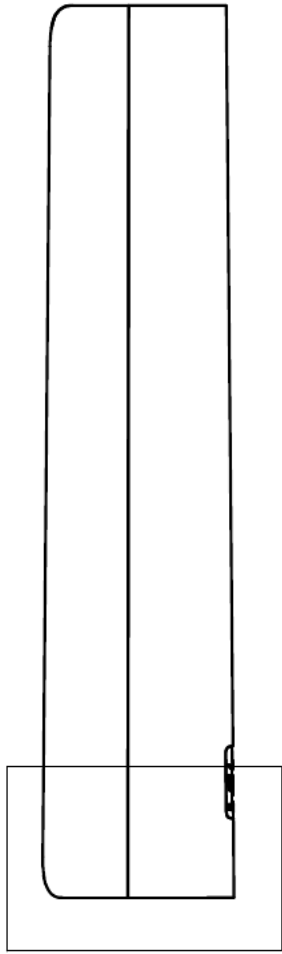
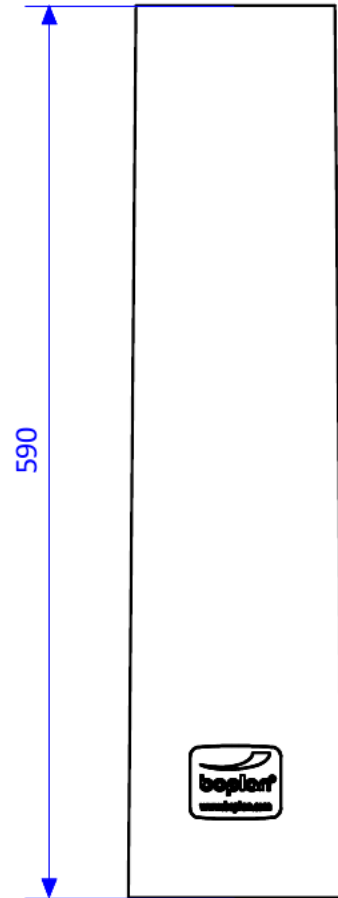
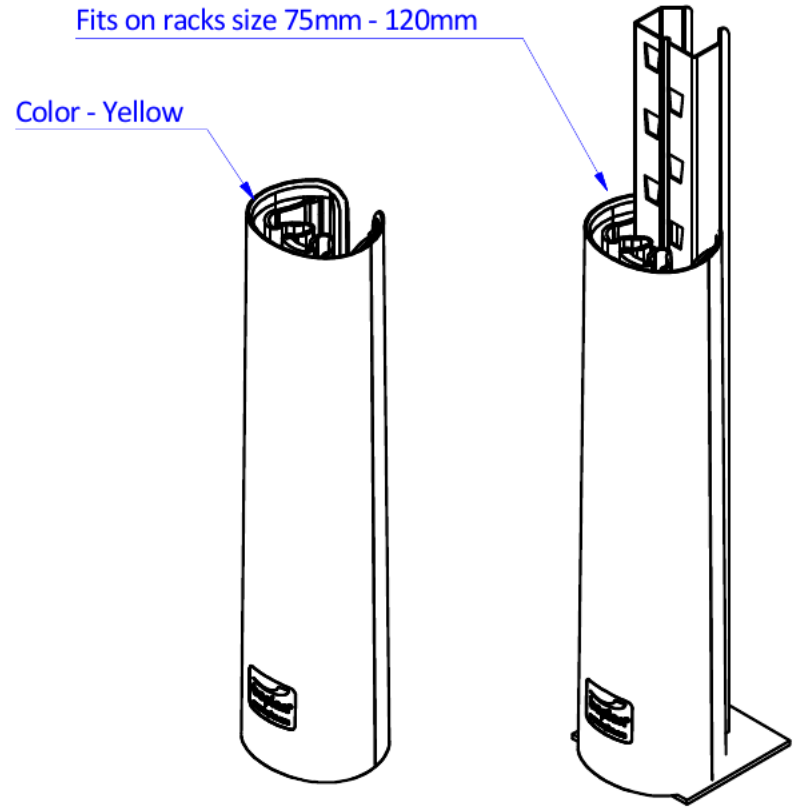

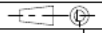


PARTS LIST	
ITEM	QTY
piece	1
Box	12
Pallet	240



Opening for bolts



		RackBull - universal rack protector - 75>120					
SHEET	A4	SCALE		DESIGNER	DD	6/02/2014	
HOOFDGROEP : IM		WEIGHT :		PROJECT			
SUBGROEP :		MATERIAL :				1/1	
TOLERANCE	LINEAR (UNLESS NOTED)	+/- 0.1	ANGULAR (UNLESS NOTED)	+/- 1°	RADIUS (UNLESS NOTED)	0,5	
<small>MUIZELSTRAAT 12 B-8560 WEVELGEM WWW.BOPLAN.COM</small>				<small>THIS DOCUMENT IS THE PROPERTY OF BOPLAN. USE IS AUTHORIZED ONLY FOR RESPONDING TO A REQUEST FOR QUOTATION OR FOR THE PERFORMANCE OF WORK FOR BOPLAN.</small>			
						REF. : RP51/011	